

## SMA-905 光纤跳线

### SMA905 Fiber Optic Patch Cord

#### 产品描述: Product Overview

SMA-905 光纤跳线采用高精度 SMA905 接头或带空气间隙保护的改进型 SMA-905 连接头, 装配端面精磨抛光的大芯径能量光纤, 主要应用于半导体激光器模块及中低功率固体激光器的能量传输。连接头内部采用无胶工艺的环保工艺, 进一步提升能量光纤散热效果和使用寿命, 满足激光焊接、切割等高功率传输需求。

福津光电同时提供光纤跳线定制服务和光纤跳线(如 D80, FC/PC 跳线)来料镀膜业务。

SMA905 Fiber Patchcord utilize high precision SMA905 connector or air-gap-ferrule connector, It is equipped with high quality tip polishing surface fiber. The Patchcord mainly used for energy transmission of semiconductor laser modules and medium-low power solid state lasers. The internal connector of the fiber patch cord apply high-quality environmental epoxy free technology, which improve the heat dissipation effect and service life of the fiber. The SMA905 patchcord can meet the demand for laser welding, cutting and other high power transmission.

Photonstream also offer custom patch cable services and accept fiber cable(such as D80 jumper, FC/PC patch cord) coating services.

#### 应用领域

#### Product Application

- 泵浦激光尾纤及跳线 Pump laser fiber tail and fiber patch cord
- 高功率激光加工柔性传输 High power laser processing energy transmission
- 医疗激光设备 Medical laser equipment
- 工业激光加工 Industrial laser processing

#### 产品特点

#### Product Feature

- 福津光电开发的独特研磨抛光及装配工艺
- 采用进口高品质大芯径石英光纤
- 光纤端面镀膜, 高损伤阈值 (> 200 兆瓦/平方厘米)。
- 保护套管金属铠装设计, 抗挤压、表面磨损、剪切和拉伸
- 光纤插芯由不锈钢或者白铜材料制成, 起到热沉作用, 可有效的疏散光纤产生的热量。
- 采用空气间隙(光纤悬空)插芯装配, 消除了光纤吸收端面附近的能量物质(如胶水、接头材料与涂覆层)的影响, 是高功率激光的理想选择。

-福津光电开发的独特研磨抛光及装配工艺

Photonstream's unique fiber polishing and assembling process

-采用进口高品质大芯径石英光纤

The fiber patch cord is made of imported high quality large-core optical fibers

-光纤端面镀膜, 损伤阈值高达 200 兆瓦/平方厘米

AR coated fiber end face, damage threshold up to 200MW/CM2

Email: [contact@photonstream.com](mailto:contact@photonstream.com)  
网址: [www.photonstream.cn](http://www.photonstream.cn)

Tel: (+86)-755-8416 6678  
地址: 深圳市龙岗区坪地街道教育北路 88 号飞莱特工业园 2 栋 5 楼

Fax: (+86)-755-8456 0576



Smooth the light way

-保护套管金属铠装设计, 抗挤压、表面磨损、剪切和拉伸

Stainless Steel Protective Tubing ,Resists Crushing, Abrasion, Cutting, and Pulling

-光纤插芯由不锈钢或者白铜材料制成, 起到热沉作用, 可有效的疏散光纤产生的热量。

The SMA ferrules are made of stainless steel or cupronickel and used as a heat sink, evacuating the heat quickly away from the fiber.

-采用空气间隙(光纤悬空)插芯装配, 消除了光纤吸收端面附近的能量物质(如胶水、接头材料与涂覆层)的影响, 是高功率激光的理想选择。

Utilize air-gap-ferrule technology that eliminates energy-absorbing materials near the fiber end face such as epoxies, connector materials, and coatings, making them ideal for high-power applications.

#### 主要参数

#### Product parameter

光纤芯径 Fiber Core	200 / 300 / 400 / 600 / 800 / 1000um ; 或客户指定 Customer Specified
光纤长度 Fiber Length	200+/-5cm ; 或客户指定 Customer Specified
装配方式 Assembly Method	SMA905 平头装配或悬空头装配 flat or air-gap-ferrule
铠装外径 Armored Diameter	Φ6 包塑不锈钢软管 Stainless Steel Protective Tubing
插芯材质 Ferrule material	陶瓷 / 不锈钢 / 白铜 pottery /stainless steel/cupronickel
镀膜参数 Coating Parameter	增透膜 AR Coating, R<0.5@780-1000nm 或客户定制 Customer Specified
	另外承接各种 D80,FC/PC 光纤跳线镀膜业务 Accept fiber cable(such as D80 jumper, FC/PC patch cord) coating services.

Email: [contact@photonstream.com](mailto:contact@photonstream.com)  
网址: [www.photonstream.cn](http://www.photonstream.cn)

Tel: (+86)-755-8416 6678  
地址: 深圳市龙岗区坪地街道教育北路 88 号飞莱特工业园 2 栋 5 楼

Fax: (+86)-755-8456 0576



Smooth the light way

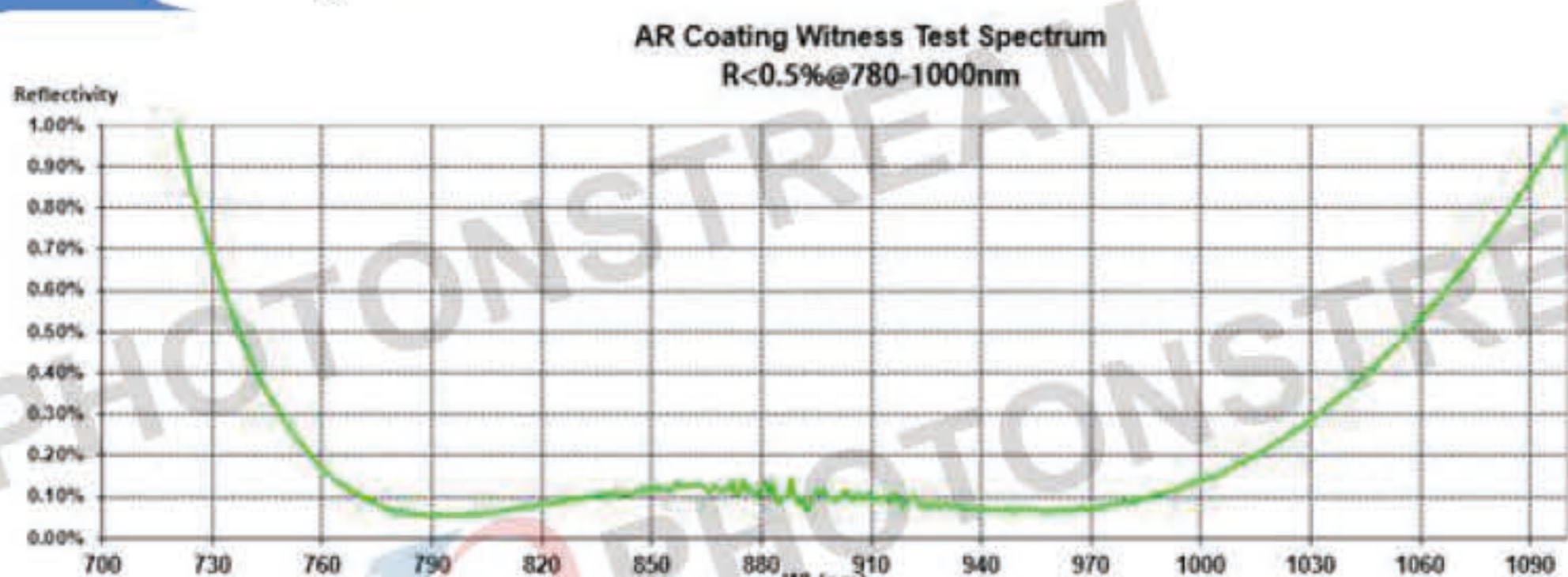
#### 产品图片

#### Product Image



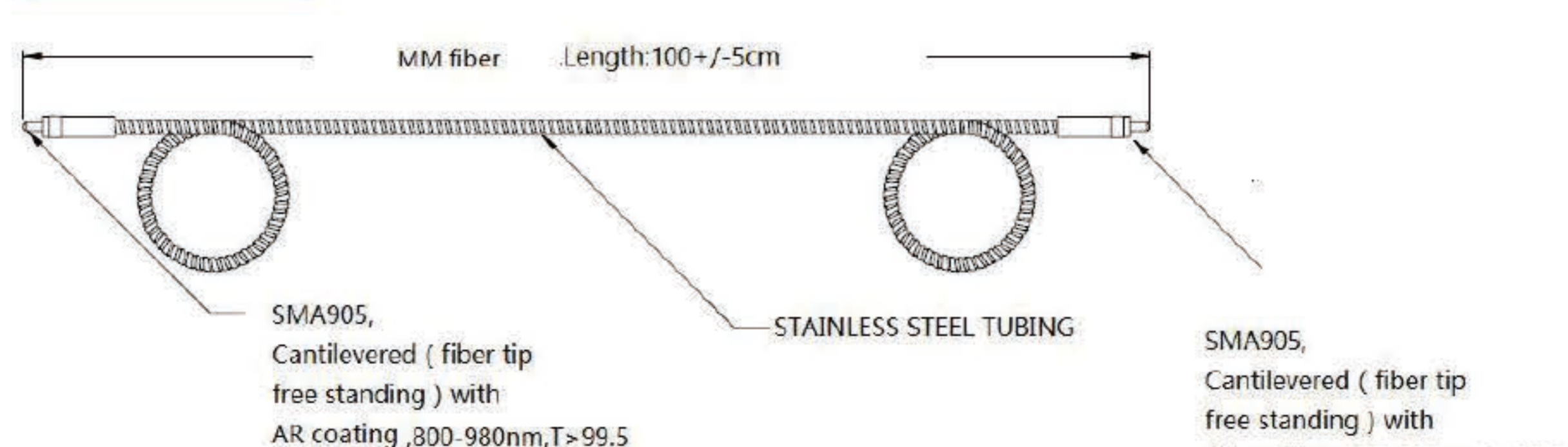
#### 镀膜曲线

#### Coating Curve



#### 产品图示

#### Product Outline



Email: [contact@photonstream.com](mailto:contact@photonstream.com)  
网址: [www.photonstream.cn](http://www.photonstream.cn)

Tel: (+86)-755-8416 6678  
地址: 深圳市龙岗区坪地街道教育北路 88 号飞莱特工业园 2 栋 5 楼

Fax: (+86)-755-8456 0576